



# TOPPING STATIONS RELISH SERVERS

Models RS-3  
2PRS

Date:

Project:

Quantity:

Item Number:



**RS-3 67050**



**2PRS 85150**



**Warranty**

Server Products equipment is backed by a two-year limited warranty against defects in materials and workmanship. For a copy of our complete warranty statement, see our web site or contact us.

## Bid Description

The RS-3 relish server is constructed of stainless steel with a brushed (#4) finish. An acrylic hinged lid has stay-open and self-close design to cover and protect contents. Accepts (3) 1/6-size pans, up to 6" (15.2 cm) deep or (1) 1/6-size and (3) 1/9-size pans (not included).

The non-insulated Two-Pan Relish Server, features a slanted design for a small footprint. Constructed of stainless steel with a brushed (#4) finish. Includes (2) exclusive black ABS plastic pans, clear polycarbonate hinged lids and 1/2 ounce (14-mL) spoons. Pans hold 1 quart (.9 L) and are 4" (10.2 cm) deep. A model with self-closing lids is also available, use 85160.

## Standard Features

Durable, stainless steel construction with a brushed finish

Clear lids cover and protect product while showing it off

Choose from stay-open or self-close lids

Small footprint is great for creating or organizing a compact condiment area

## Accessories

- 1/6-size, 6" (15.2 cm) deep pan 90089
- 1/6-size, 4" (10.2 cm) deep pan 90088
- 1/9-size, 4" (10.2 cm) deep pan 90106
- Clear storage lid for 2PRS pan 85161
- Black plastic pan for 2PRS 85151

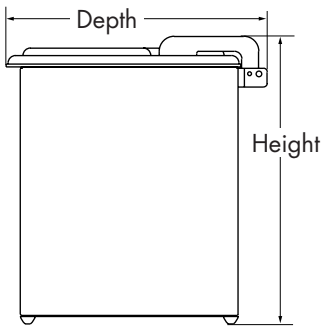
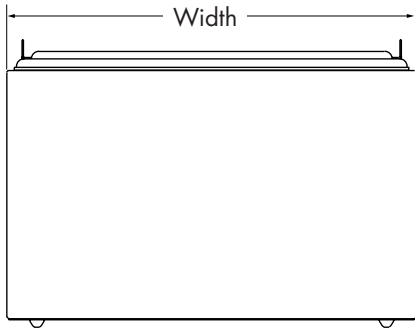
Specifications on reverse side



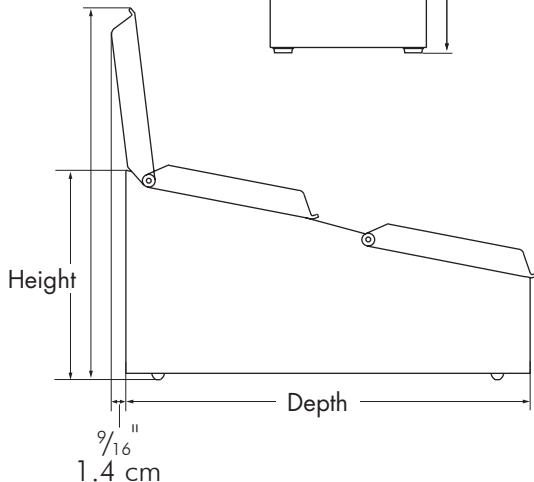
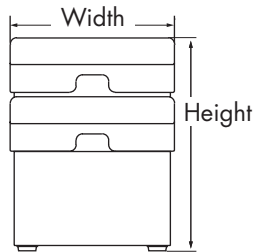
# TOPPING STATIONS RELISH SERVERS

Models RS-3  
2PRS

## Relish Servers RS-3 67050



## Two-Pan Relish Server 2PRS 85150



## Specifications

<b>Model</b>	<b>RS-3 67050</b>			
Construction	Stainless steel with brushed (#4) finish; acrylic hinged lid.			
Pan Capacity	1/6-size, 6" (15.2 cm) deep: 2.7 qt (2.6 L)			
Dimensions	<u>Height</u>	<u>Width</u>	<u>Depth</u>	<u>Lid Open</u>
	in	7 <sup>5</sup> / <sub>16</sub>	20	8 <sup>11</sup> / <sub>16</sub>
	cm	23.2	50.8	22.1
Weight	9 lb (4.1 kg)			
<b>Model</b>	<b>2PRS 85150</b>			
Construction	Stainless steel with brushed (#4) finish; ABS plastic pans and polycarbonate lids.			
Pan Capacity	2PRS, 4" (10.2 cm) deep: 1qt (.9 L)			
Dimensions	<u>Height</u>	<u>Width</u>	<u>Depth</u>	<u>Lid Open</u>
	in	8 <sup>5</sup> / <sub>16</sub>	6 <sup>5</sup> / <sub>16</sub>	15 <sup>13</sup> / <sub>16</sub>
	cm	21.1	16	40.2
Weight	6 lb (2.7 kg)			
Option	2PRS 85160, same as 2PRS above, except with self-closing lids.			

FOB Richfield, Wisconsin 53076

## CAD Library

Individual CAD images can be downloaded from product pages on our web site. We are also a member of The KCL CADalog with more than 100 other manufacturers. Our complete collection of CAD files can be purchased through Kochman Consultants, Ltd. at [kclcad.com](http://kclcad.com).



Server Products, Inc. • P.O. Box 98 • Richfield, WI 53076 • Toll Free: 800-558-8722  
P: 262-628-5600 • F: 262-628-5110 • [spsales@server-products.com](mailto:spsales@server-products.com) • [server-products.com](http://server-products.com)

Server Products, Inc. reserves the right to modify specifications without obligation. Printed in USA

10-2008/.5k Stock #02090